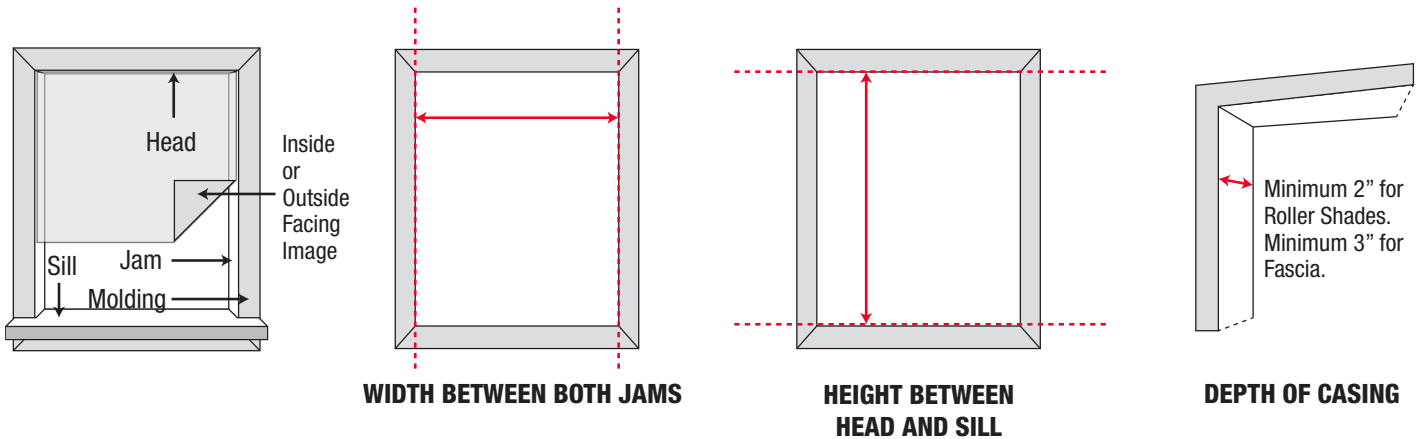


# WHAT TO MEASURE FOR **BLINDS**

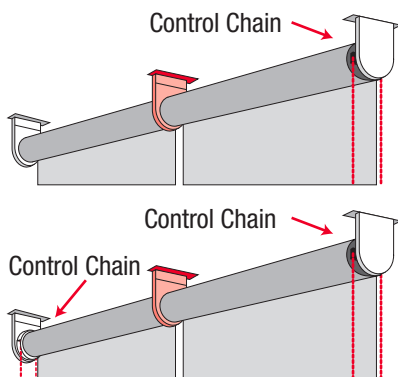
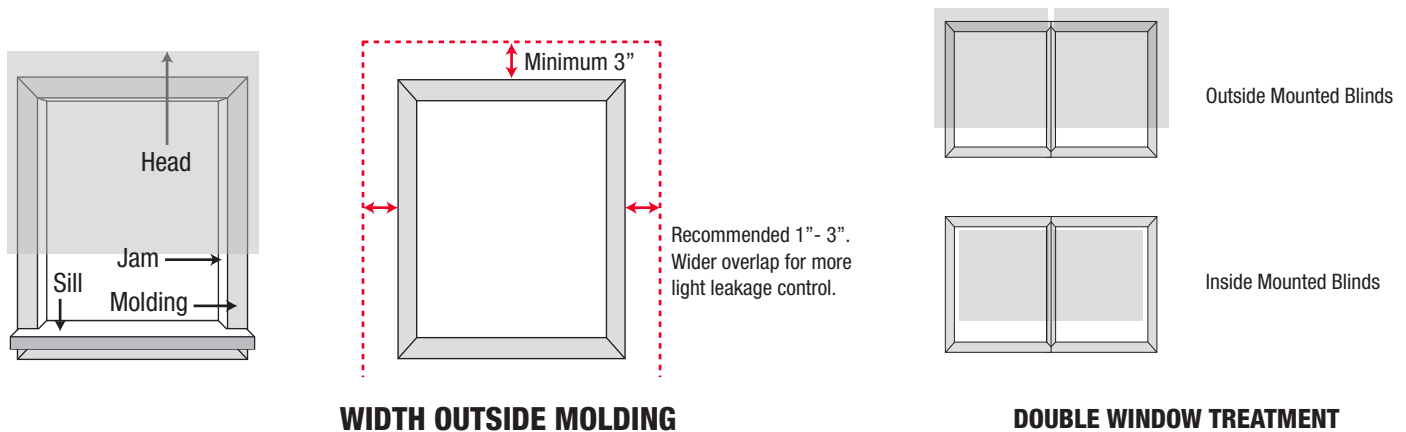
## Inside Mount

**Inside mounted blinds** are mounted inside the window jams for a more finished look, especially for windows with attractive molding. Some light leakage will occur due to a 3/8" gap on either side for brackets and mounting hardware.



## Outside Mount

**Outside mounted blinds** are mounted on the wall or molding outside the window casing and cover an area larger than the window itself. Outside mounting requires flat space above the window casing for proper installation of the brackets and overlap on each side to ensure light control and privacy.



### **INTERMEDIATE BRACKET**

Join 2 roller shades together with 1 control using sealed roller bearing with recessed end caps to reduce light gap.

### **CENTRE SUPPORT BRACKET**

Centre support bracket for 2 independently operated shades with 2 spring loaded recessed end caps to reduce light gap.

**NOTE:** Please indicate if the image side of the blind will be inside facing or outside facing, as well as whether the control chain will be on the left, or right side of the window.

